

Duo
by Norway Says and Hallgeir Homstvedt



A private shelter

DUO sofa is the perfect silencer for spacious rooms. It deadens the sound in a room, mutes the noise from the surroundings and makes a shelter for private conversations. A pair of DUO sofas is, therefore, the optimal solution for many different occasions. When the sides are folded down DUO becomes an open lounge, when they are opened up DUO can act as a room divider or create a quiet room for meetings or relaxation.

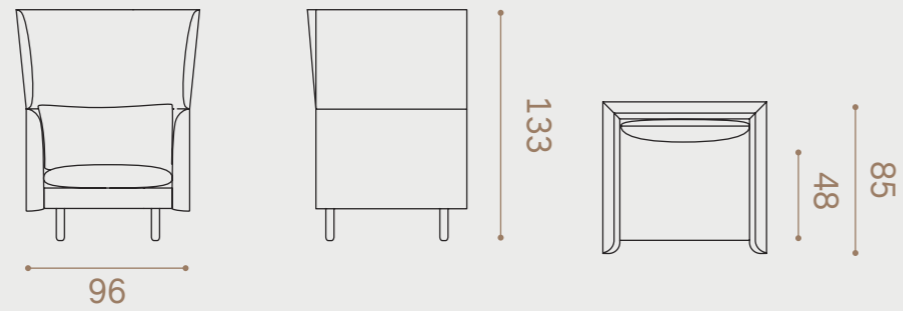
See page 110 for complete specifications

Duo

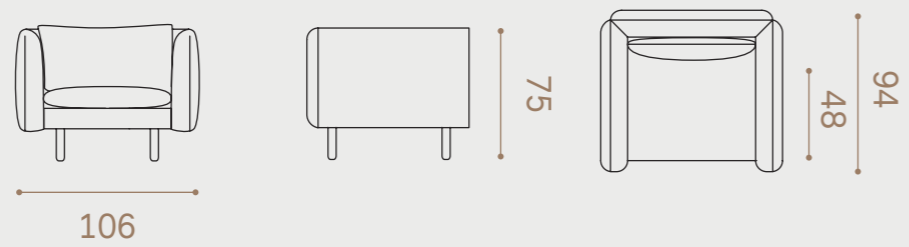
Design Norway Says and Hallgeir Homstvedt

DUO is available in 1 and 2 seater. The sofa has acoustic qualities. Sides and back can easily be folded up and down by using a zipper. Delivered with loose, reversible back cushions with covers that are removable for easier cleaning.

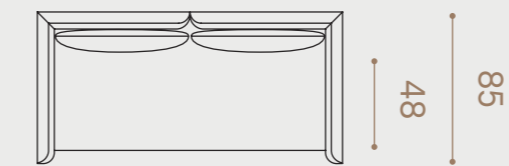
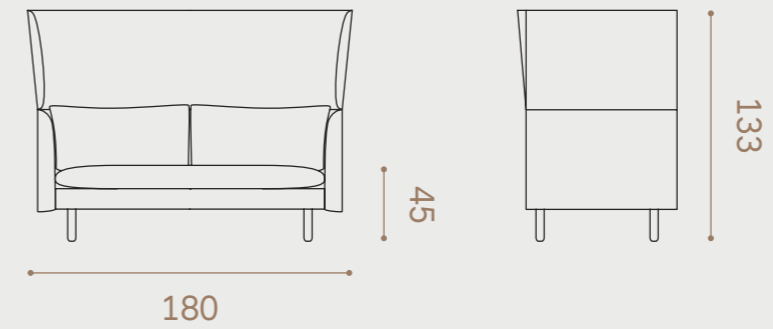
1 seater • Opened up



1 seater • Folded down



2 seater • Opened up



2 seater • Folded down

