

Man
by Norway Says



The perfect man

What is the perfect image of a man? Various, but with this MAN it is impossible to not think of broad shoulders and a solid neck, but most of all an inviting lap. This is the MAN with arms you immediately want to throw yourself into – and spend hours with on a Friday night. MAN is a solid sofa with a characteristic low back and arms, but the soft cushions and adjusted seat ensures a high level of comfort.

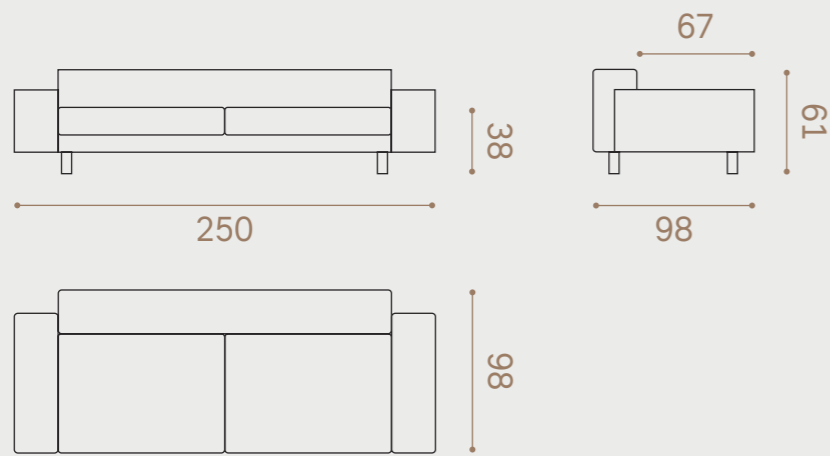
See page 111 for complete specifications

Man

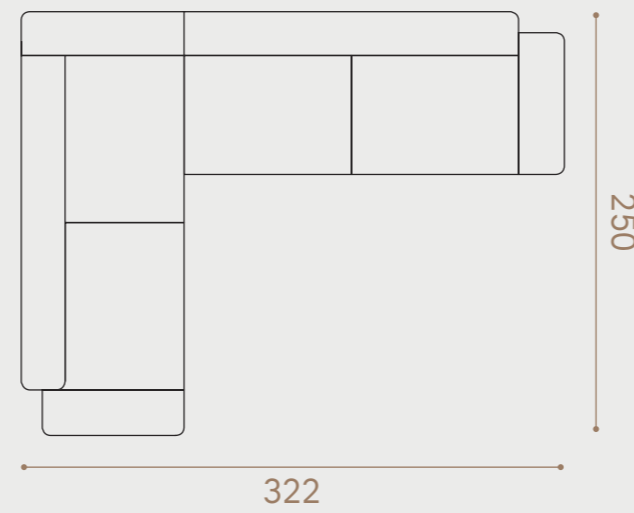
Design Norway Says

MAN is available in 2 seater, as 4 seater, with corner and U-solutions or chaise lounge. The cushion covers are removable for easier cleaning.

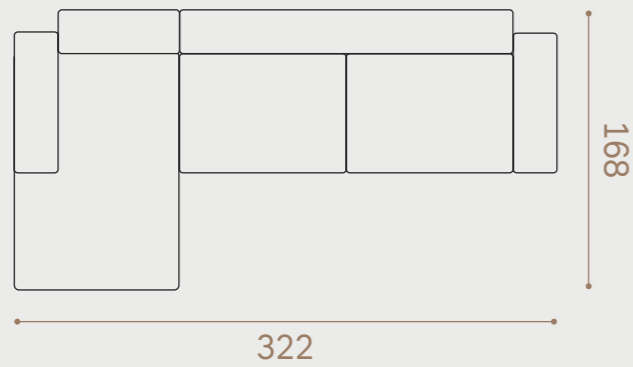
2 seater • 301



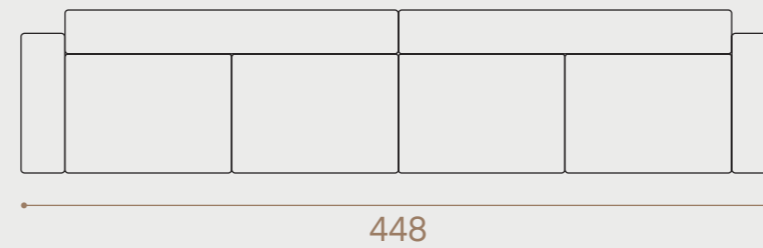
Corner • 403 • 302



With chaise lounge • 203 • 302



4 seater • 303 • 302



Ottoman • 001

